

Standard Length Trailer

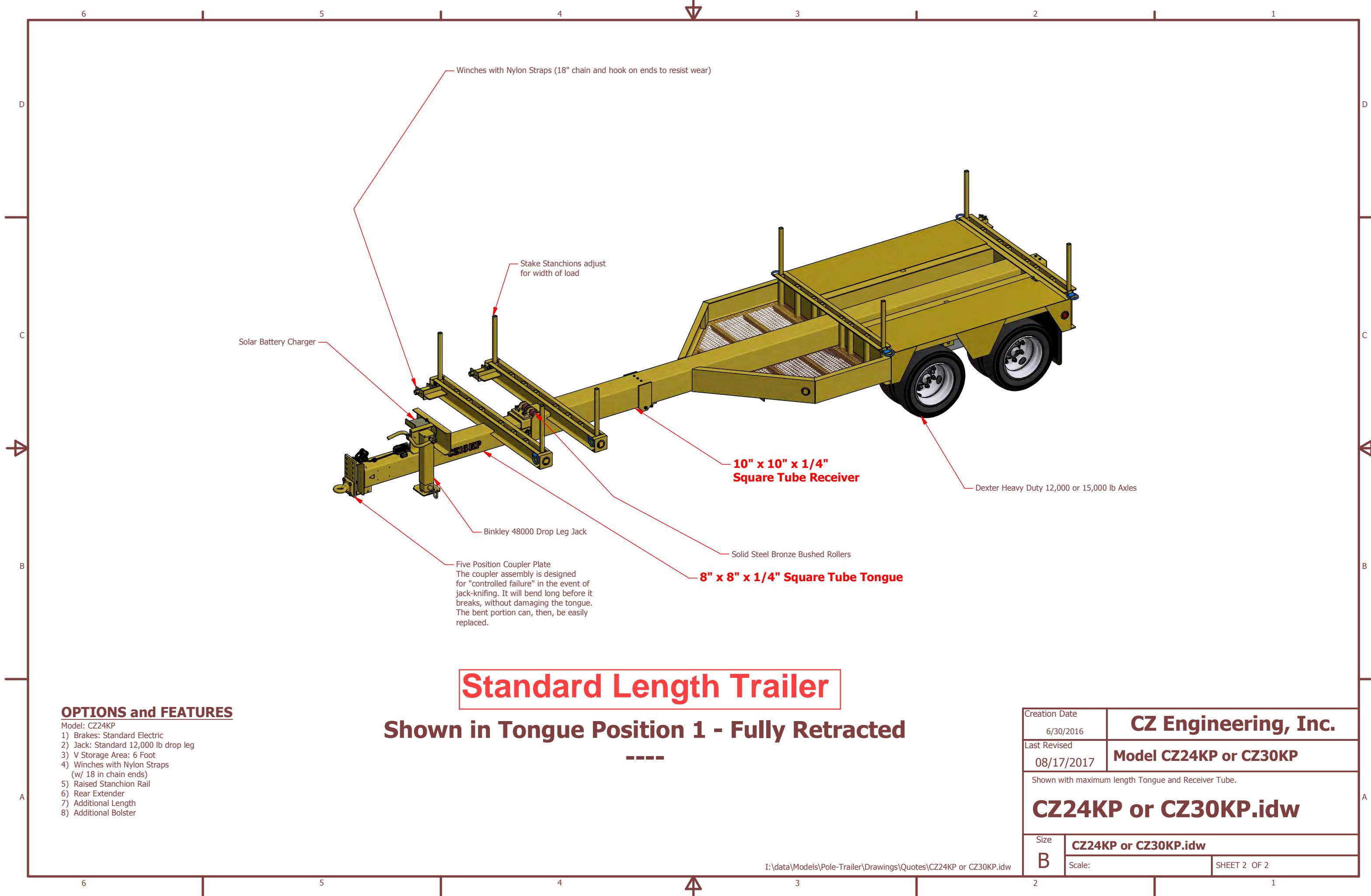
Shown in Tongue Position 1 - Fully Retracted

OPTIONS and FEATURES

- Model: CZ24KP
- 1) Brakes: Standard Electric
 - 2) Jack: Standard 12,000 lb drop leg
 - 3) V Storage Area: 6 Foot
 - 4) Winches with Nylon Straps (w/ 18 in chain ends)
 - 5) Raised Stanchion Rail
 - 6) Rear Extender
 - 7) Additional Length
 - 8) Additional Bolster

NOTE: White is the standard color

Creation Date	6/30/2016		CZ Engineering, Inc.
Last Revised	06/30/2016		
Shown with maximum length Tongue and Receiver Tube.			CZ24KP or CZ30KP.idw
Size	CZ24KP or CZ30KP.idw		
B	Scale:	SHEET 1 OF 2	



Standard Length Trailer

Shown in Tongue Position 1 - Fully Retracted

OPTIONS and FEATURES

- Model: CZ24KP
- 1) Brakes: Standard Electric
 - 2) Jack: Standard 12,000 lb drop leg
 - 3) V Storage Area: 6 Foot
 - 4) Winches with Nylon Straps (w/ 18 in chain ends)
 - 5) Raised Stanchion Rail
 - 6) Rear Extender
 - 7) Additional Length
 - 8) Additional Bolster

Winches with Nylon Straps (18" chain and hook on ends to resist wear)

Stake Stanchions adjust for width of load

Solar Battery Charger

Binkley 48000 Drop Leg Jack

Five Position Coupler Plate
The coupler assembly is designed for "controlled failure" in the event of jack-knifing. It will bend long before it breaks, without damaging the tongue. The bent portion can, then, be easily replaced.

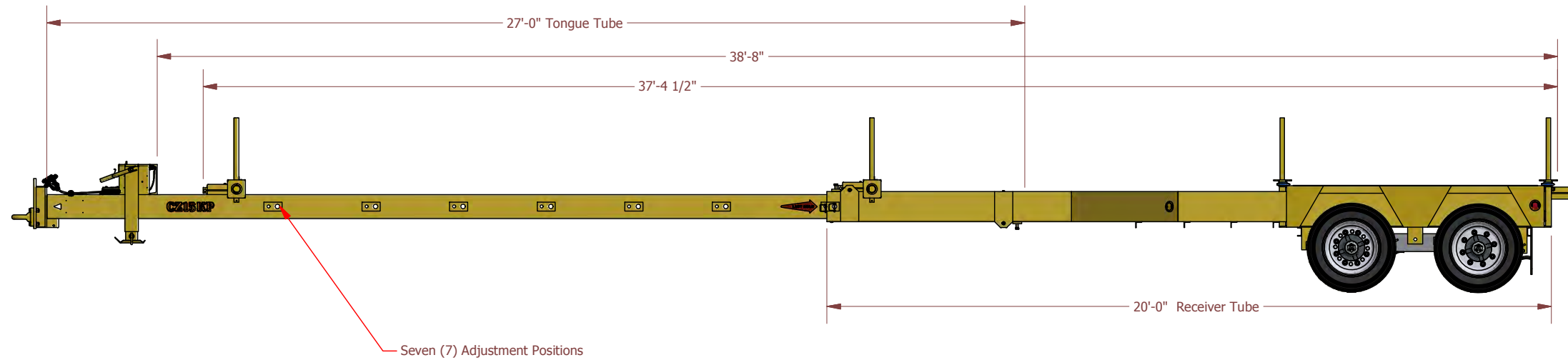
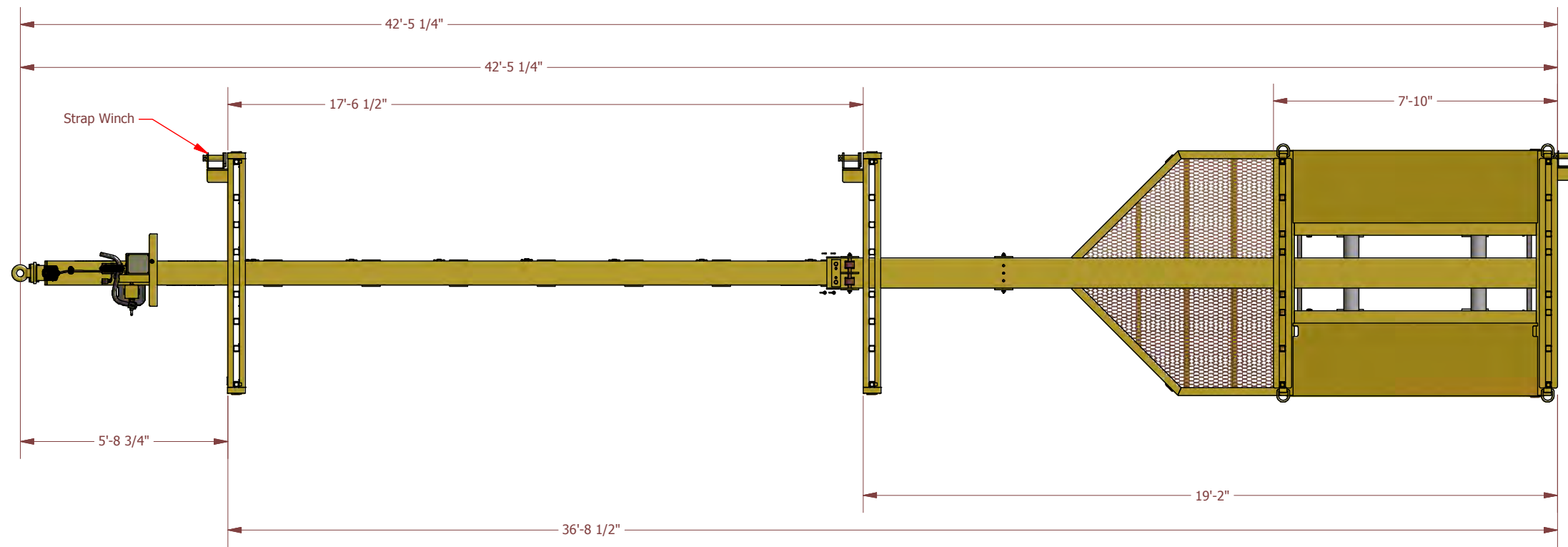
10" x 10" x 1/4" Square Tube Receiver

Dexter Heavy Duty 12,000 or 15,000 lb Axles

Solid Steel Bronze Bushed Rollers

8" x 8" x 1/4" Square Tube Tongue

Creation Date 6/30/2016	CZ Engineering, Inc.	
Last Revised 08/17/2017	Model CZ24KP or CZ30KP	
Shown with maximum length Tongue and Receiver Tube.		
CZ24KP or CZ30KP.idw		
Size B	CZ24KP or CZ30KP.idw	
Scale:	SHEET 2 OF 2	



Standard Length Trailer

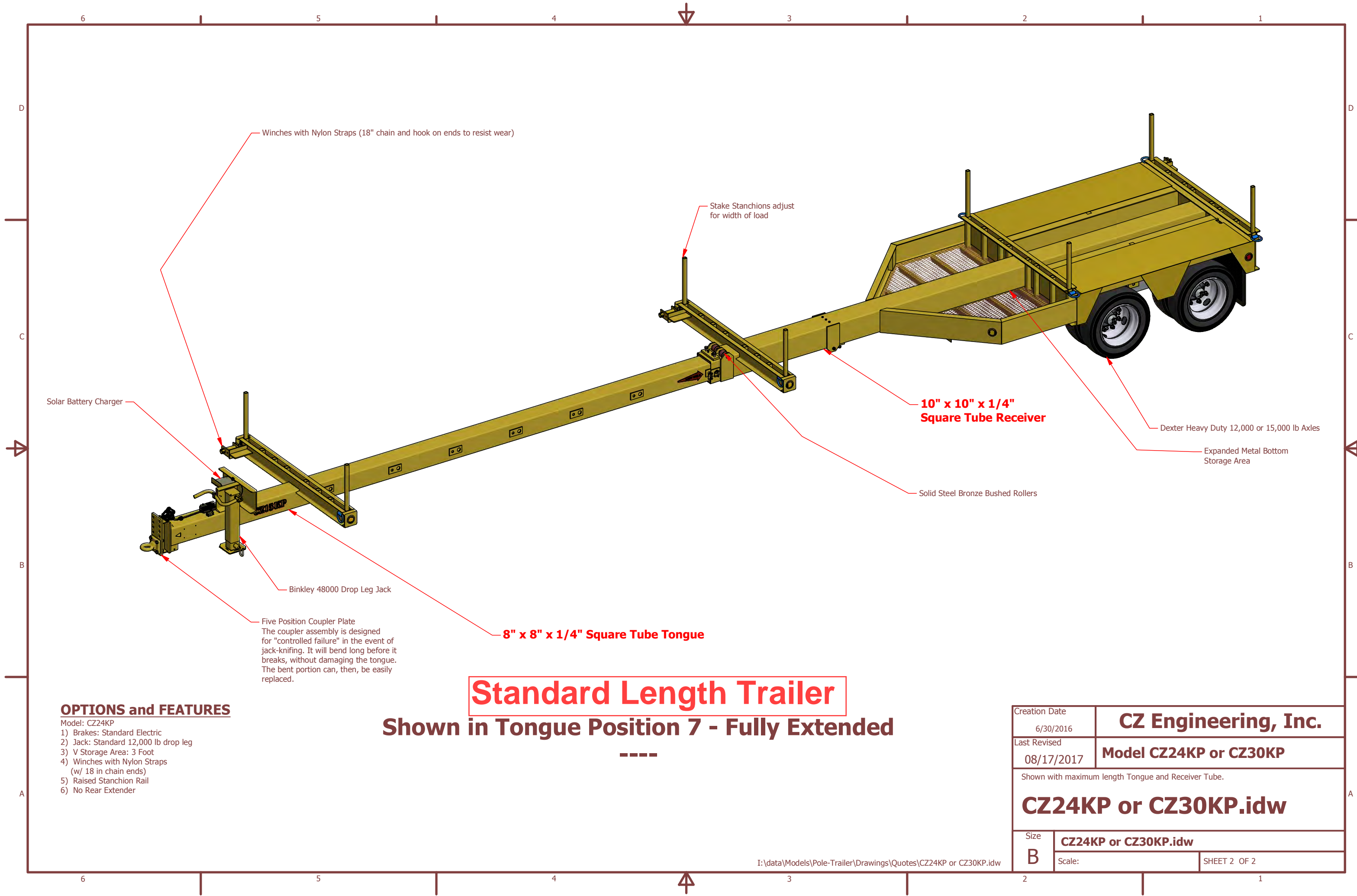
Shown in Tongue Position 1 - Fully Retracted

OPTIONS and FEATURES

- Model: CZ24KP
- 1) Brakes: Standard Electric
- 2) Jack: Standard 12,000 lb drop leg
- 3) V Storage Area: 3 Foot
- 4) Winches with Nylon Straps (w/ 18 in chain ends)
- 5) Raised Stanchion Rail
- 6) No Rear Extender

NOTE: White is the standard color

Creation Date	6/30/2016		CZ Engineering, Inc.
Last Revised	06/30/2016		
Shown with maximum length Tongue and Receiver Tube.			CZ24KP or CZ30KP.idw
Size	CZ24KP or CZ30KP.idw		
B	Scale:	SHEET 1 OF 2	



Winches with Nylon Straps (18" chain and hook on ends to resist wear)

Stake Stanchions adjust for width of load

Solar Battery Charger

10" x 10" x 1/4" Square Tube Receiver

Dexter Heavy Duty 12,000 or 15,000 lb Axles

Expanded Metal Bottom Storage Area

Solid Steel Bronze Bushed Rollers

Binkley 48000 Drop Leg Jack

8" x 8" x 1/4" Square Tube Tongue

Five Position Coupler Plate
The coupler assembly is designed for "controlled failure" in the event of jack-knifing. It will bend long before it breaks, without damaging the tongue. The bent portion can, then, be easily replaced.

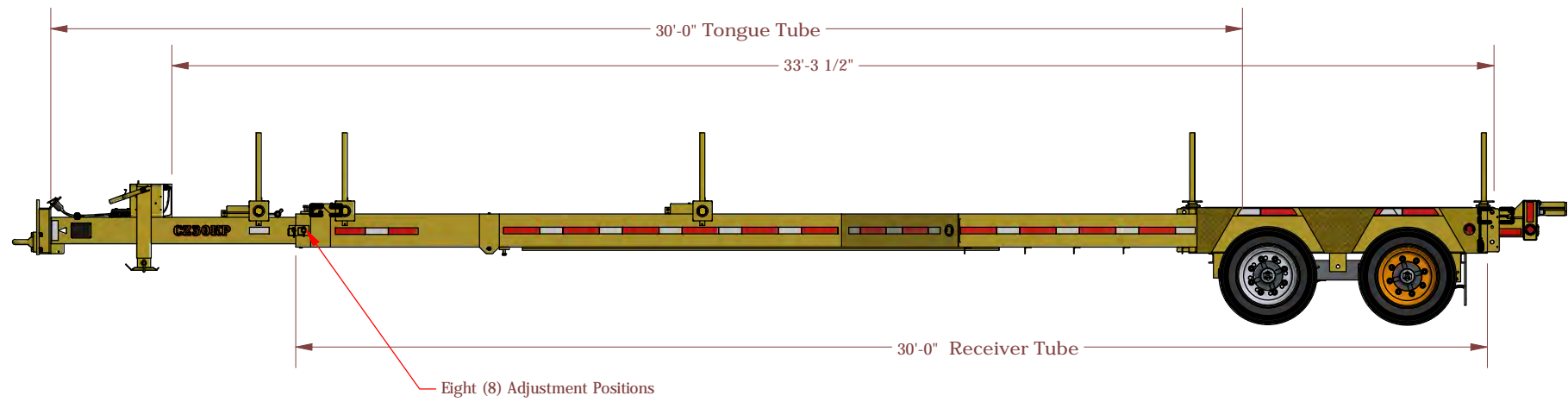
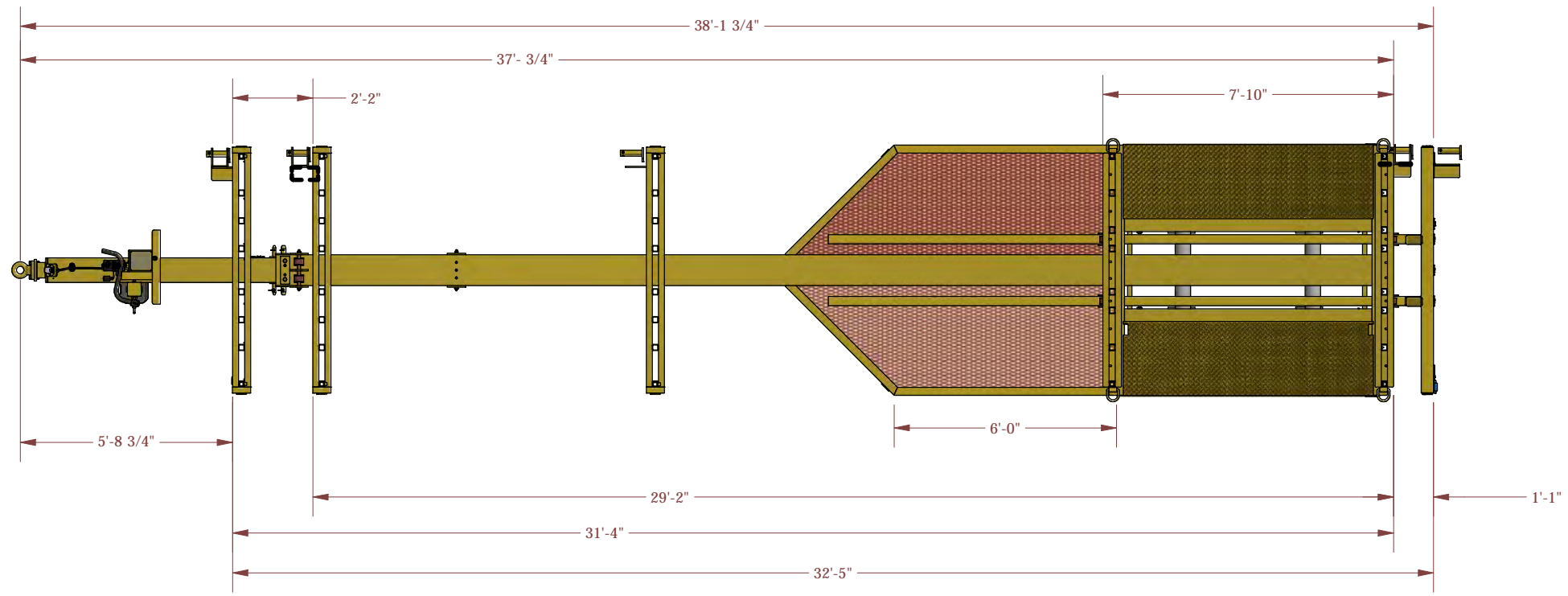
Standard Length Trailer

Shown in Tongue Position 7 - Fully Extended

OPTIONS and FEATURES

- Model: CZ24KP
- 1) Brakes: Standard Electric
 - 2) Jack: Standard 12,000 lb drop leg
 - 3) V Storage Area: 3 Foot
 - 4) Winches with Nylon Straps (w/ 18 in chain ends)
 - 5) Raised Stanchion Rail
 - 6) No Rear Extender

Creation Date 6/30/2016	CZ Engineering, Inc.	
Last Revised 08/17/2017	Model CZ24KP or CZ30KP	
Shown with maximum length Tongue and Receiver Tube.		
CZ24KP or CZ30KP.idw		
Size B	CZ24KP or CZ30KP.idw	
Scale:	SHEET 2 OF 2	

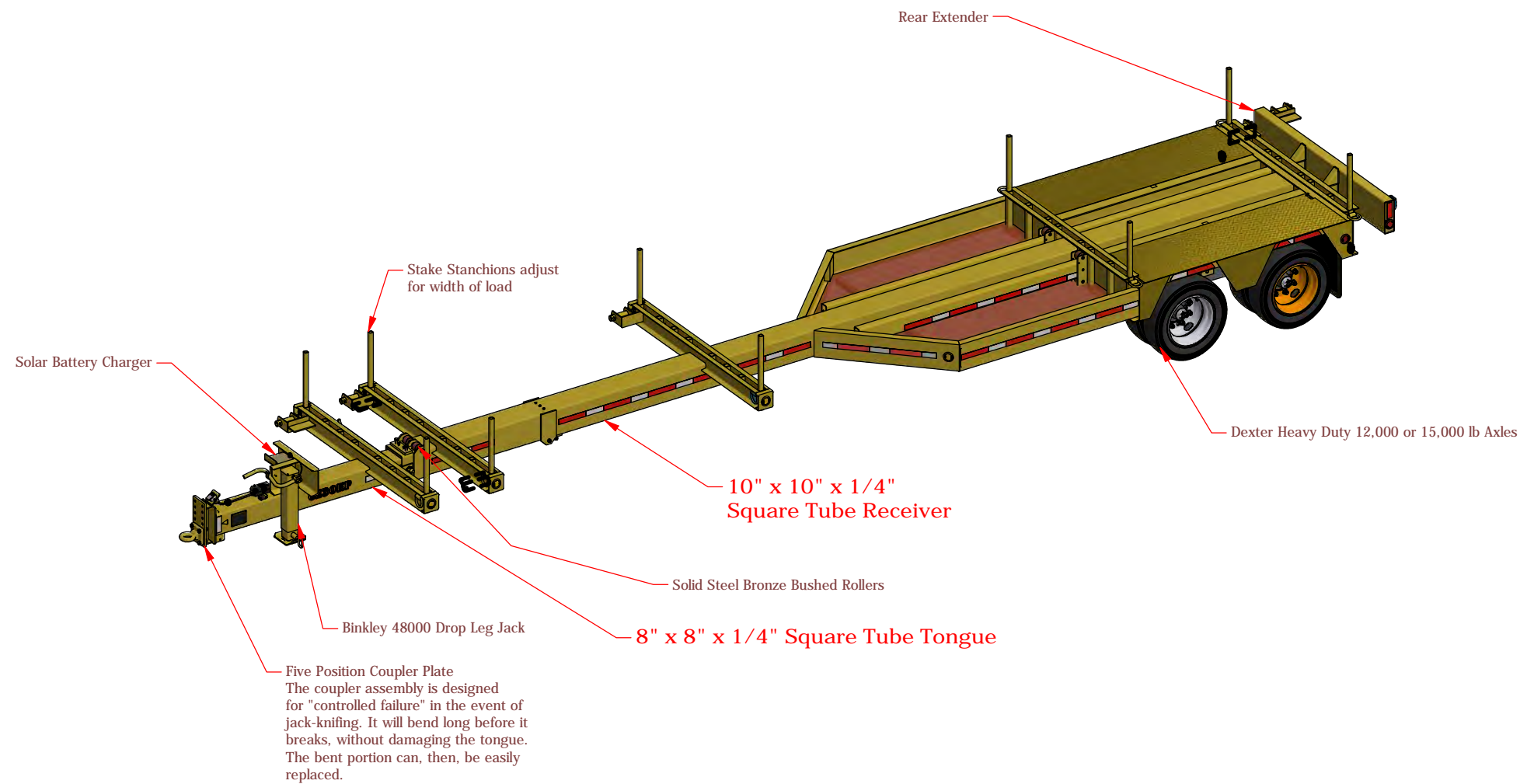


Extra Length Trailer

Shown in Tongue Position 1 - Fully Retracted
Rear Extender Fully Retracted

NOTE: White is the standard color

Creation Date 6/30/2016	CZ Engineering, Inc.	
Last Revised 12/11/2018	Model CZ24KP or CZ30KP - Long Version	
Shown with maximum length Tongue and Receiver Tube.		
CZ24KP-L or CZ30KP-L-R.idw		
Size B	CZ24KP-L or CZ30KP-L-R.idw	
Scale:	SHEET 1 OF 2	

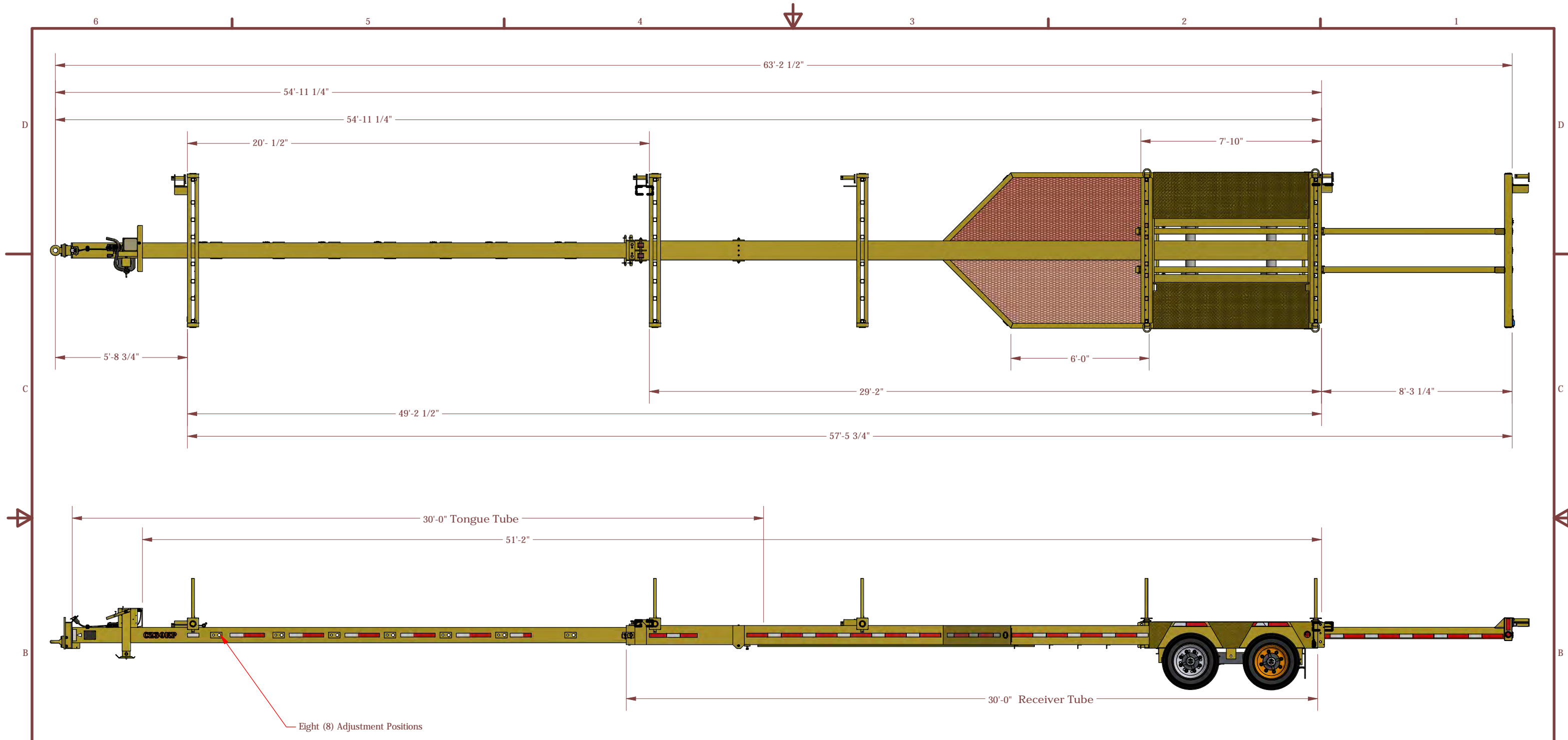


Five Position Coupler Plate
 The coupler assembly is designed for "controlled failure" in the event of jack-knifing. It will bend long before it breaks, without damaging the tongue. The bent portion can, then, be easily replaced.

Extra Length Trailer

Shown in Tongue Position 1 - Fully Retracted
 Rear Extender Fully Retracted

Creation Date	6/30/2016		CZ Engineering, Inc.
Last Revised	08/17/2017		
Shown with maximum length Tongue and Receiver Tube.			
CZ24KP-L or CZ30KP-L-R.idw			
Size	CZ24KP-L or CZ30KP-L-R.idw		
B	Scale:	SHEET 2 OF 2	



Extra Length Trailer

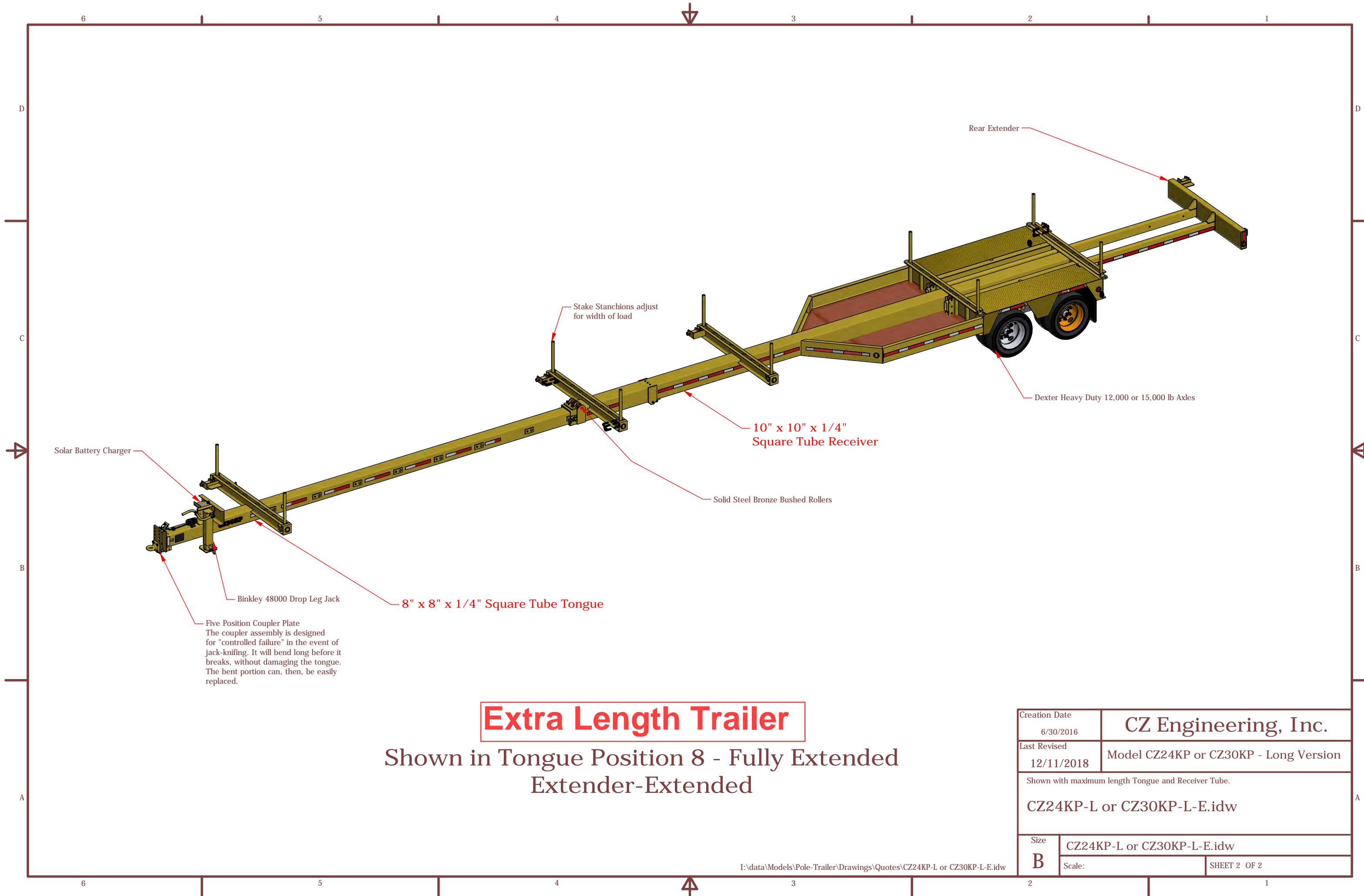
Shown in Tongue Position 8 - Fully Extended
Extender-Extended

NOTE: White is the standard color

OPTIONS and FEATURES

- Model: CZ30KP
- 1) Brakes: Standard Electric
 - 2) Jack: Standard 12,000 lb drop leg
 - 3) V Storage Area: 6 Foot
 - 4) Winches with Nylon Straps (w/ 18 in chain ends)
 - 5) Raised Stanchion Rail
 - 6) Rear Extender
 - 7) Additional Length
 - 8) Additional Bolster

Creation Date	6/30/2016		CZ Engineering, Inc.
Last Revised	12/11/2018		
Model CZ24KP or CZ30KP - Long Version			
Shown with maximum length Tongue and Receiver Tube.			
CZ24KP-L or CZ30KP-L-E.idw			
Size	CZ24KP-L or CZ30KP-L-E.idw		
B	Scale:	SHEET 1 OF 2	



Extra Length Trailer

Shown in Tongue Position 8 - Fully Extended
Extender-Extended

Five Position Coupler Plate
The coupler assembly is designed for "controlled failure" in the event of jack-knifing. It will bend long before it breaks, without damaging the tongue. The bent portion can, then, be easily replaced.

Creation Date	6/30/2016		CZ Engineering, Inc.
Last Revised	12/11/2018		
Model CZ24KP or CZ30KP - Long Version			
Shown with maximum length Tongue and Receiver Tube.			
CZ24KP-L or CZ30KP-L-E.idw			
Size	CZ24KP-L or CZ30KP-L-E.idw		
B	Scale:	SHEET 2 OF 2	