

6 5 4 3 2 1

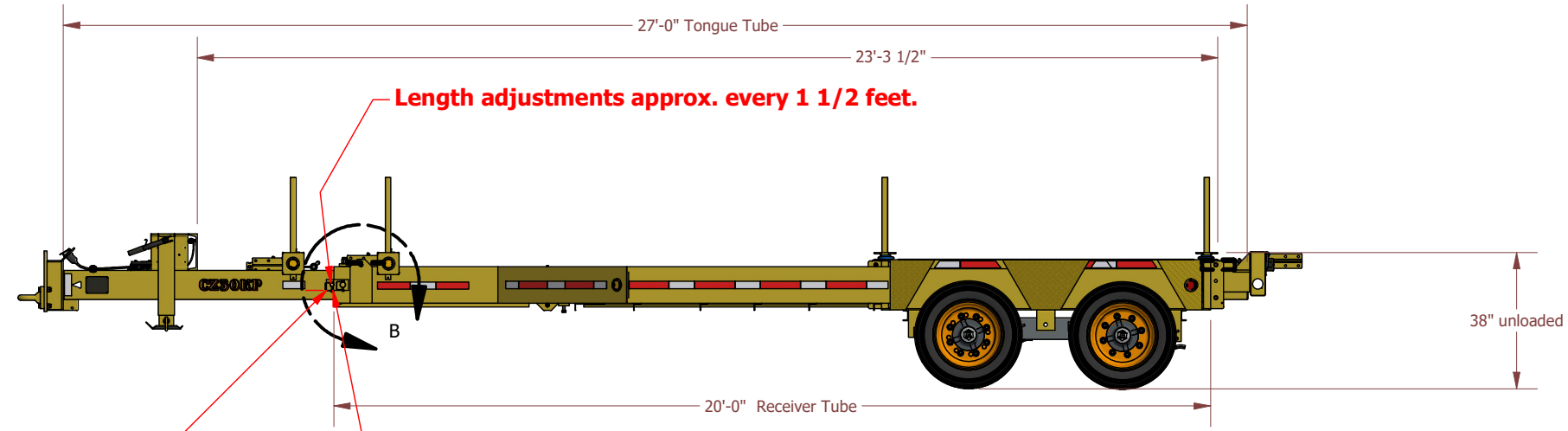
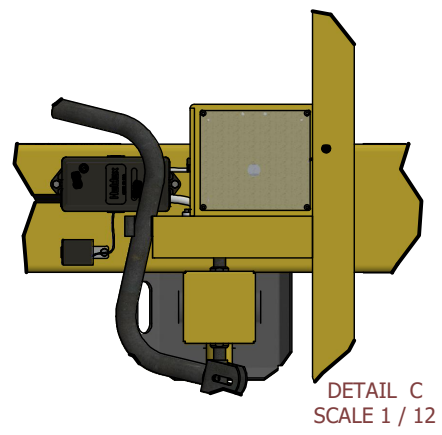
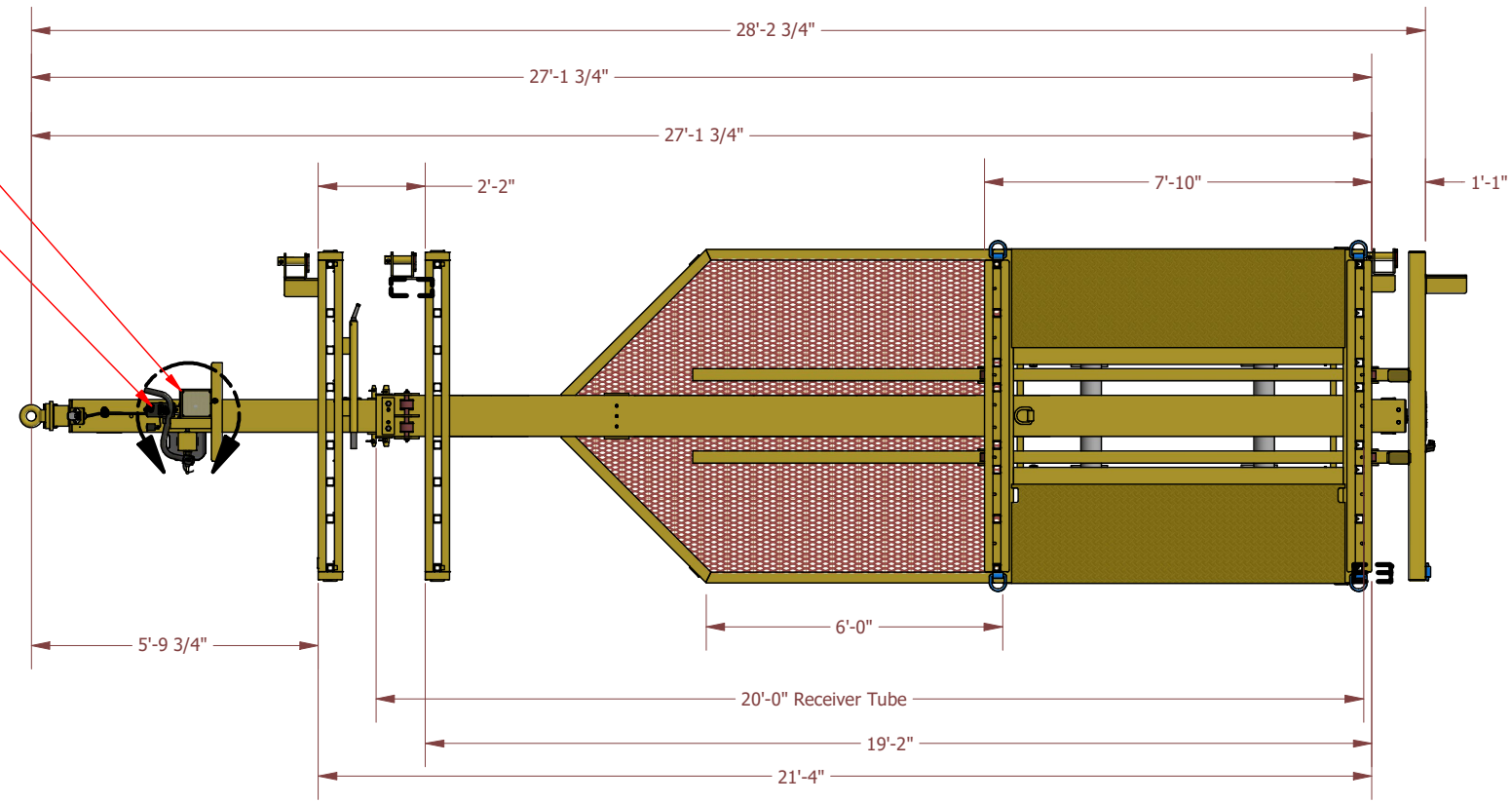
D

C

B

A

Recessed Solar Battery Charger  
Electrical Junction Box

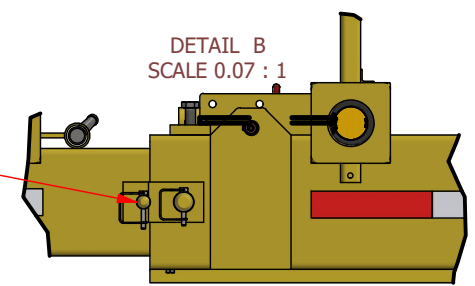


Length adjustments approx. every 1 1/2 feet.

Seven pairs of two hole adjustment plates allow for adjustment intervals of about 30 inches.

Two pin (Locator Pin and Locking Pin) system make it easy to line up the Tongue Holes with the receiver holes. Adjusting the tongue couldn't be easier.

DETAIL B SCALE 0.07 : 1



**NOTE: Standard color is New Cat Yellow & White is available at no additional charge.**

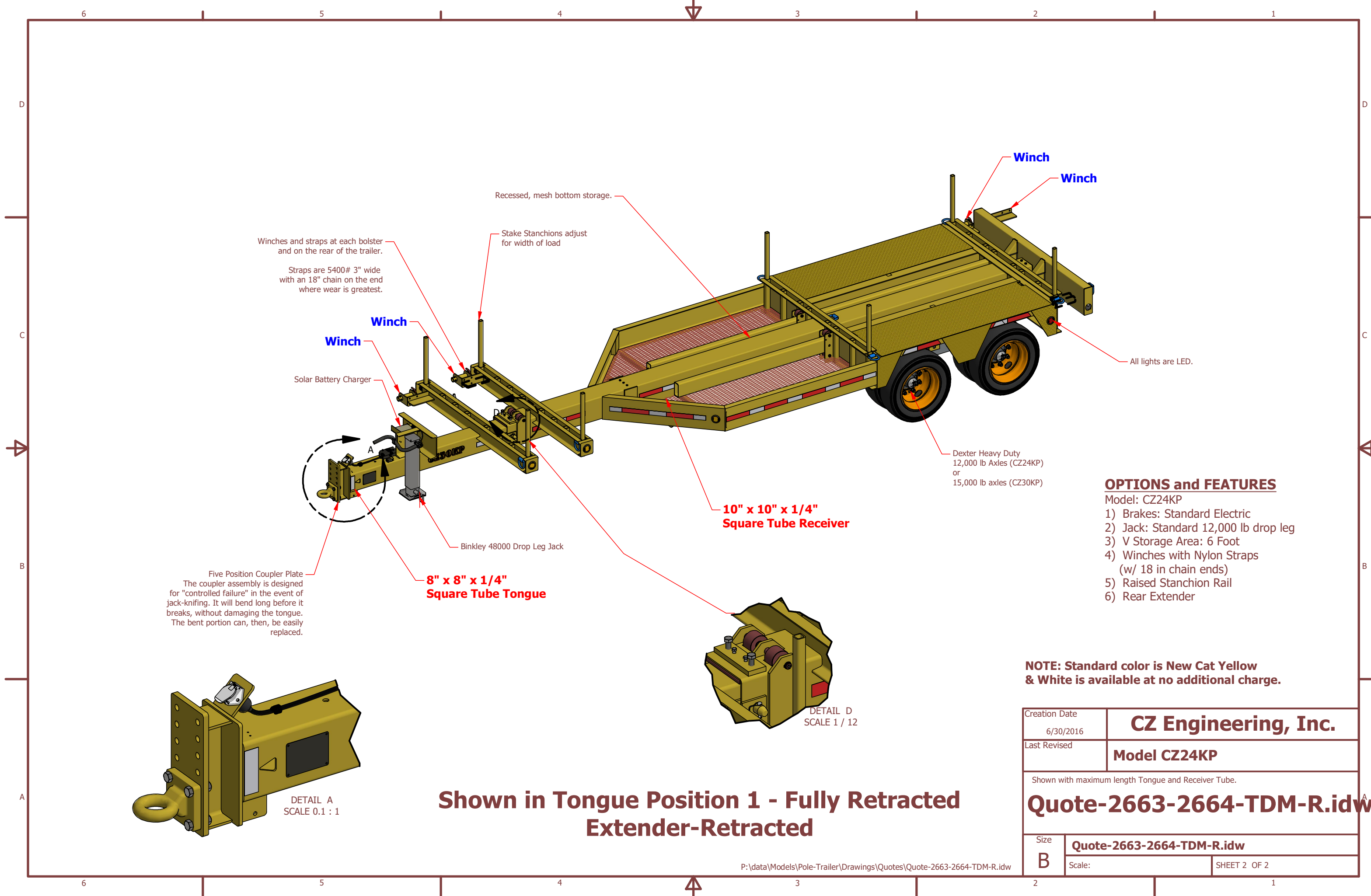
**OPTIONS and FEATURES**

- Model: CZ24KP
- 1) Brakes: Standard Electric
- 2) Jack: Standard 12,000 lb drop leg
- 3) V Storage Area: 6 Foot
- 4) Winches with Nylon Straps (w/ 18 in chain ends)
- 5) Raised Stanchion Rail
- 6) Rear Extender

Creation Date	6/30/2016		<b>CZ Engineering, Inc.</b>
Last Revised			
Shown with maximum length Tongue and Receiver Tube.			<b>Quote-2663-2664-TDM-R.idw</b>
Size	<b>Quote-2663-2664-TDM-R.idw</b>		
<b>B</b>	Scale:		SHEET 1 OF 2

**Shown in Tongue Position 1 - Fully Retracted Extender-Retracted**

6 5 4 3 2 1



Winches and straps at each bolster and on the rear of the trailer.  
 Straps are 5400# 3" wide with an 18" chain on the end where wear is greatest.

Recessed, mesh bottom storage.

Stake Stanchions adjust for width of load

Dexter Heavy Duty  
 12,000 lb Axles (CZ24KP)  
 or  
 15,000 lb axles (CZ30KP)

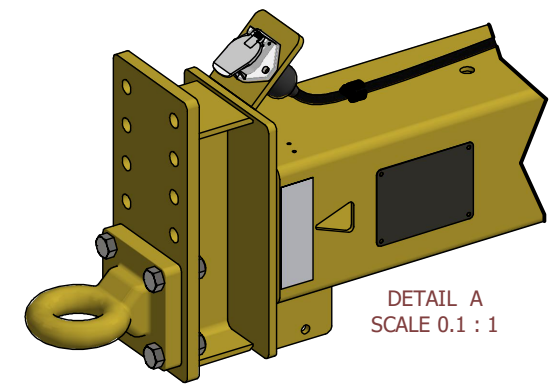
All lights are LED.

**OPTIONS and FEATURES**

- Model: CZ24KP
- 1) Brakes: Standard Electric
  - 2) Jack: Standard 12,000 lb drop leg
  - 3) V Storage Area: 6 Foot
  - 4) Winches with Nylon Straps (w/ 18 in chain ends)
  - 5) Raised Stanchion Rail
  - 6) Rear Extender

**NOTE: Standard color is New Cat Yellow & White is available at no additional charge.**

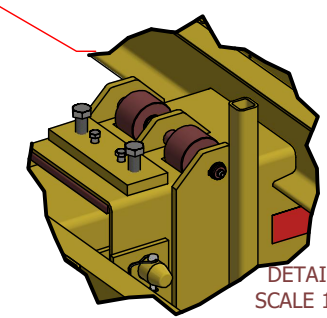
**Five Position Coupler Plate**  
 The coupler assembly is designed for "controlled failure" in the event of jack-knifing. It will bend long before it breaks, without damaging the tongue. The bent portion can, then, be easily replaced.



DETAIL A  
 SCALE 0.1 : 1

**8" x 8" x 1/4" Square Tube Tongue**

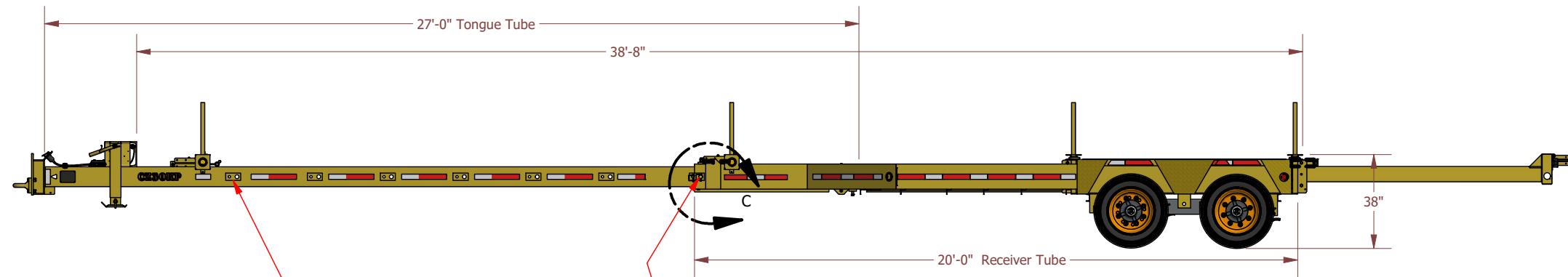
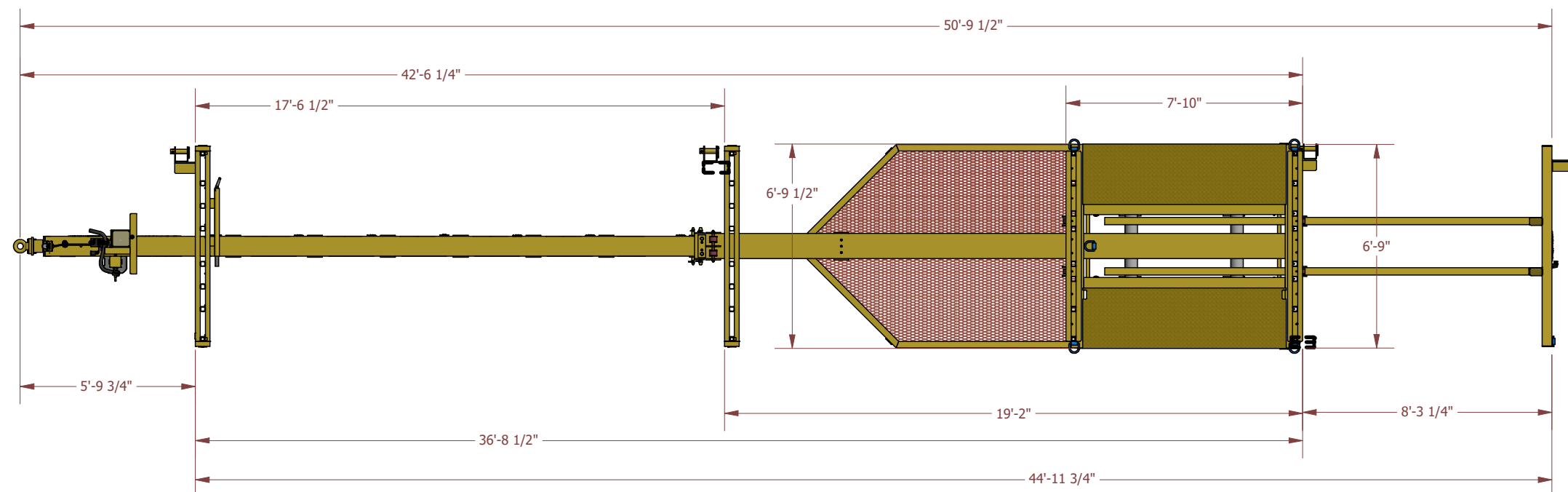
**10" x 10" x 1/4" Square Tube Receiver**



DETAIL D  
 SCALE 1 / 12

**Shown in Tongue Position 1 - Fully Retracted Extender-Retracted**

Creation Date 6/30/2016	<b>CZ Engineering, Inc.</b>	
Last Revised	<b>Model CZ24KP</b>	
Shown with maximum length Tongue and Receiver Tube.		
<b>Quote-2663-2664-TDM-R.idw</b>		
Size <b>B</b>	<b>Quote-2663-2664-TDM-R.idw</b>	
Scale:		SHEET 2 OF 2



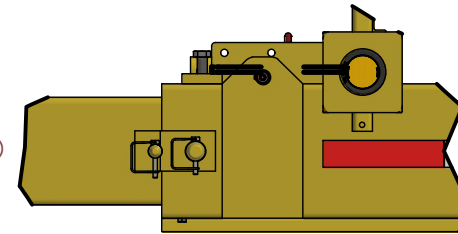
**OPTIONS and FEATURES**

Model: CZ24KP

- 1) Brakes: Standard Electric
- 2) Jack: Standard 12,000 lb drop leg
- 3) V Storage Area: 6 Foot
- 4) Winches with Nylon Straps (w/ 18 in chain ends)
- 5) Raised Stanchion Rail
- 6) Rear Extender

Seven Tongue Adjustments

Two Pin (Locator Pin and Locking Pin) system makes it easy to line up the tongue holes with the receiver holes. Adjusting the length couldn't be easier!

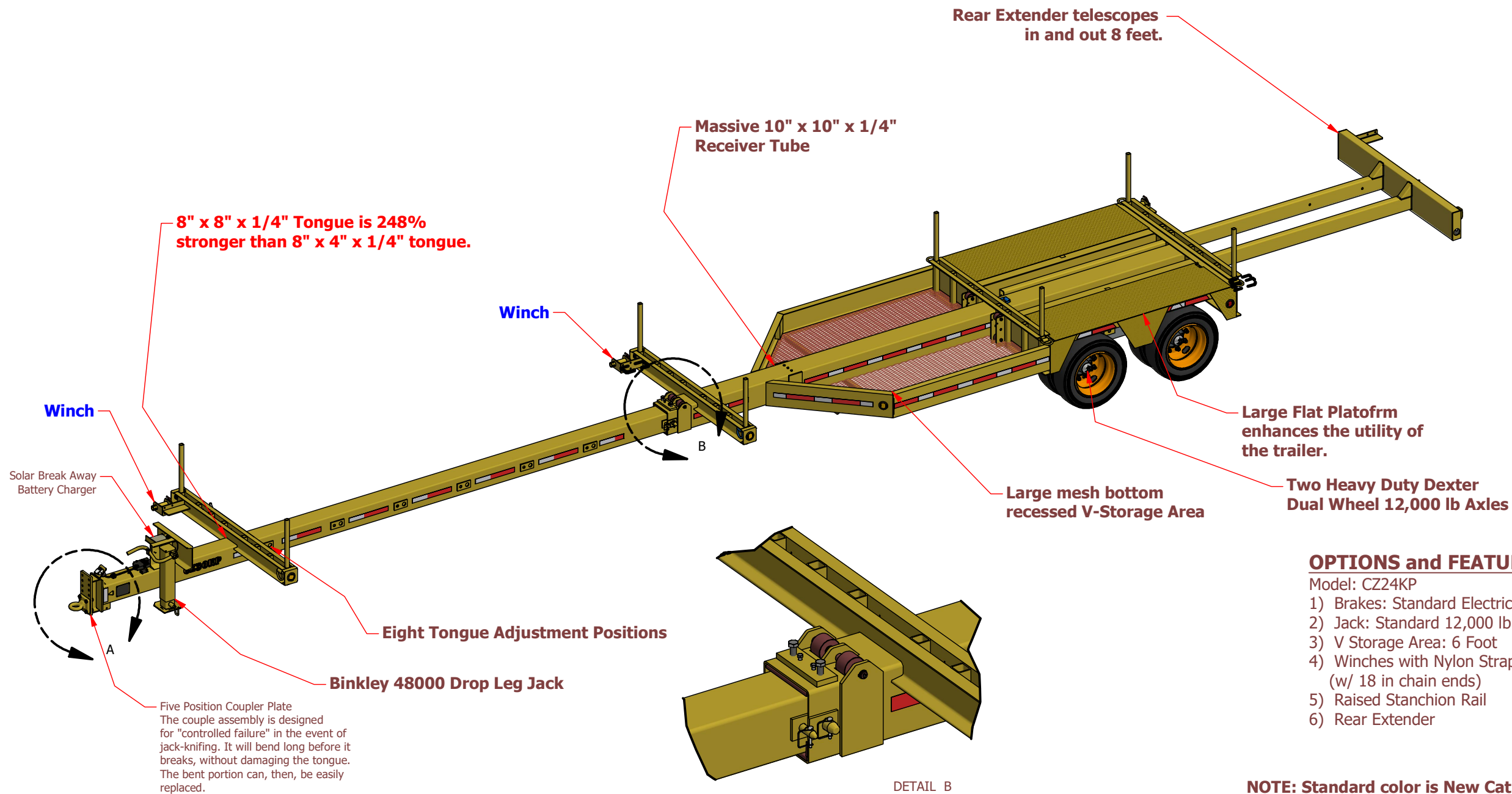


DETAIL C  
SCALE 0.07 : 1

**NOTE: Standard color is New Cat Yellow & White is available at no additional charge.**

Creation Date 6/30/2016	<b>CZ Engineering, Inc.</b>	
Last Revised 05/28/2019	<b>Model CZ24KP</b>	
Shown with maximum length Tongue and Receiver Tube.		
<b>Quote-2663-2664-TDM-E.idw</b>		
Size <b>B</b>	<b>Quote-2663-2664-TDM-E.idw</b>	
Scale:	SHEET 1 OF 2	

**Shown in Tongue Position 7 - Fully Extended  
Extender-Extended**



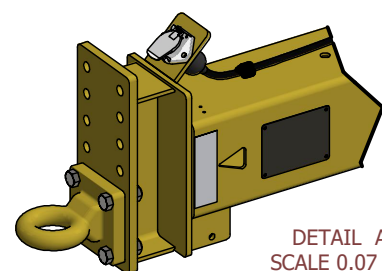
**OPTIONS and FEATURES**

- Model: CZ24KP
- 1) Brakes: Standard Electric
  - 2) Jack: Standard 12,000 lb drop leg
  - 3) V Storage Area: 6 Foot
  - 4) Winches with Nylon Straps (w/ 18 in chain ends)
  - 5) Raised Stanchion Rail
  - 6) Rear Extender

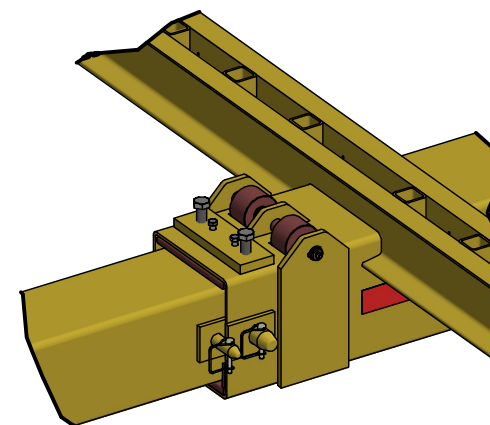
**NOTE: Standard color is New Cat Yellow & White is available at no additional charge.**

Creation Date 6/30/2016	<b>CZ Engineering, Inc.</b>	
Last Revised 05/28/2019	<b>Model CZ24KP</b>	
<b>Quote-2663-2664-TDM-E.idw</b>		
Size <b>B</b>	<b>Quote-2663-2664-TDM-E.idw</b>	
Scale:	SHEET 2 OF 2	

**Shown in Tongue Position 1 - Fully Retracted  
Extender-Retracted**



DETAIL A  
SCALE 0.07 : 1



DETAIL B  
SCALE 0.07 : 1