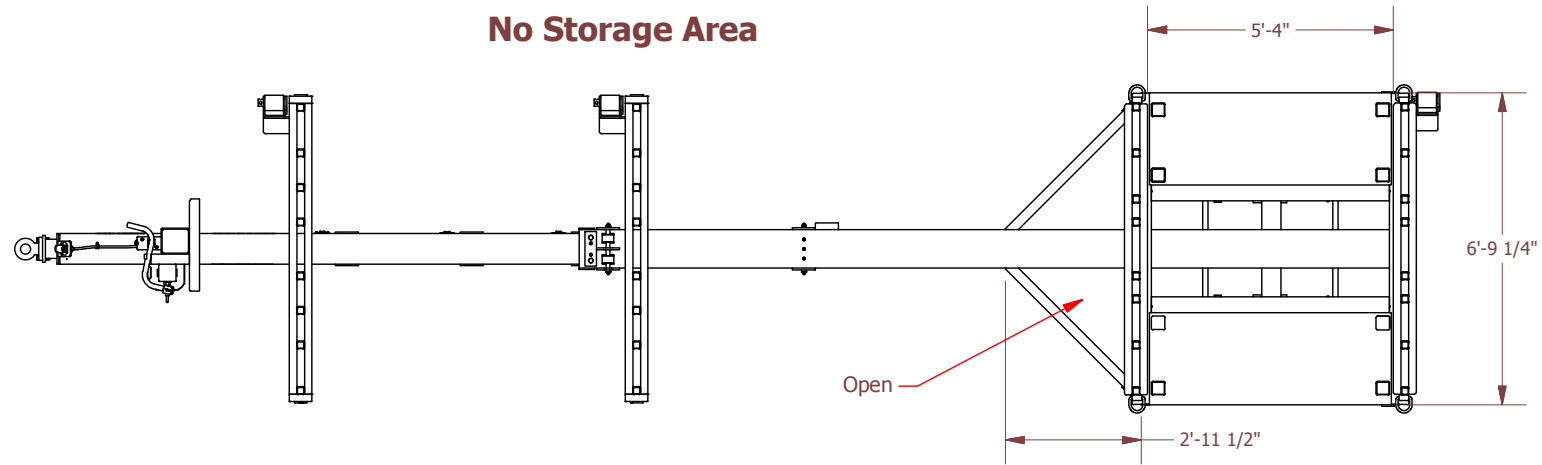
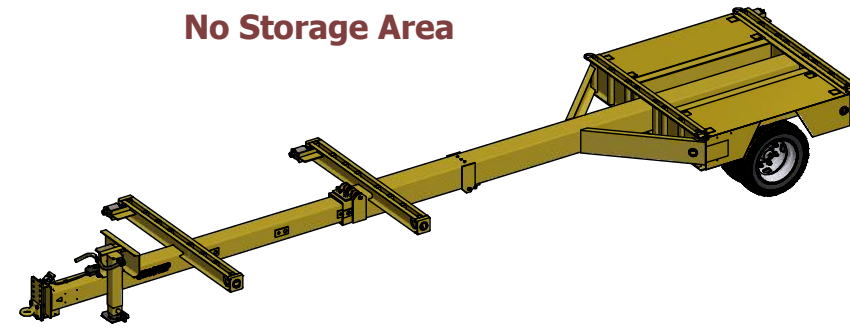


6 5 4 3 2 1

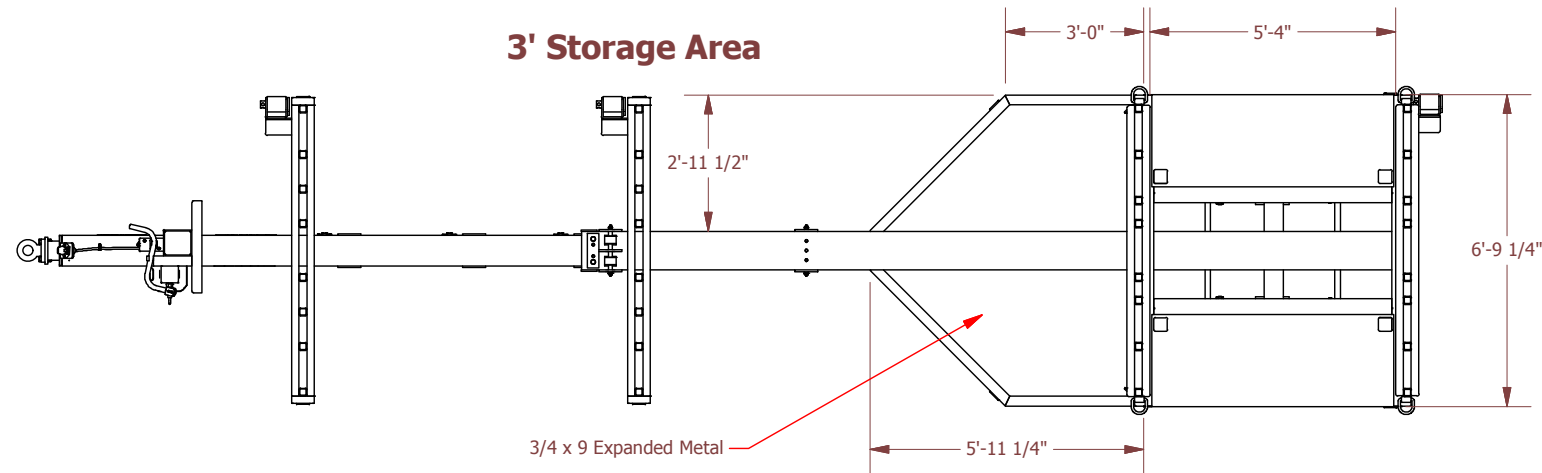
No Storage Area



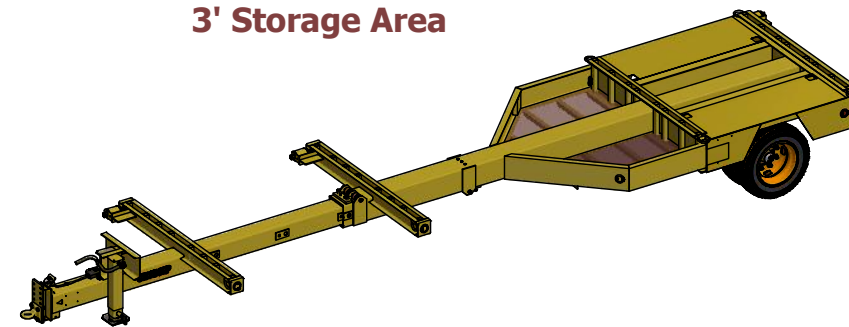
No Storage Area



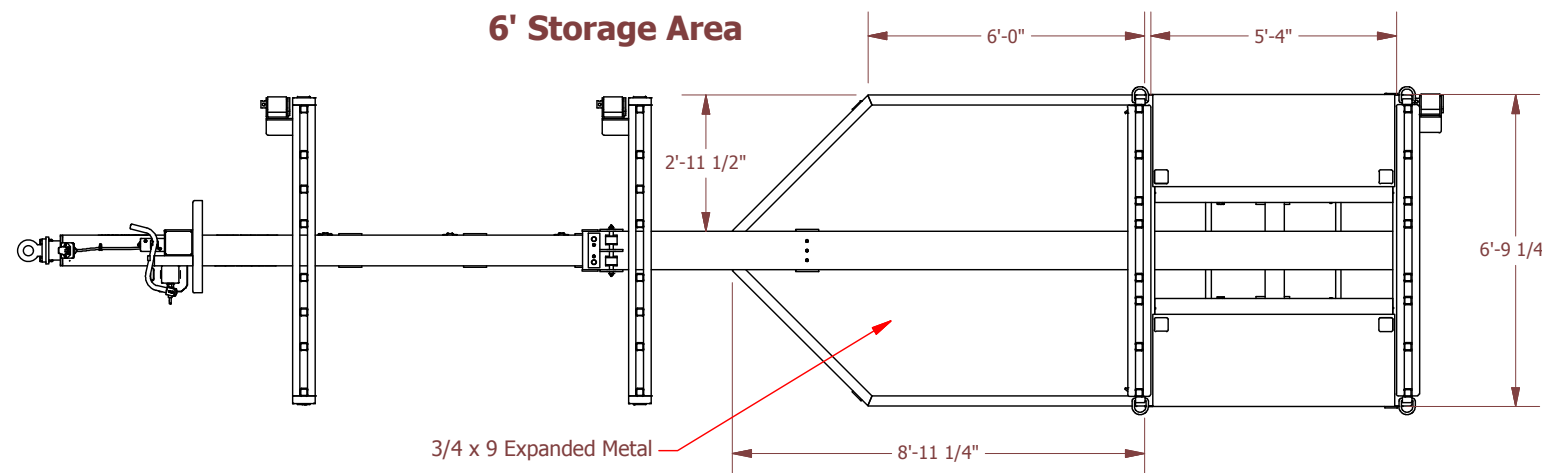
3' Storage Area



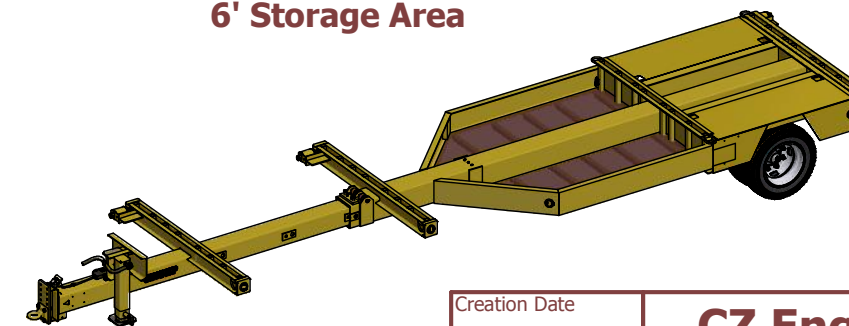
3' Storage Area



6' Storage Area



6' Storage Area



Creation Date	7/28/2015	CZ Engineering, Inc.
Last Revised	07/28/2015	

Three basic storage area options are available in addition to the platform over the axle. No storage is included in the base price. The 6' storage is generally selected when the Rear Extender option is selected, to allow the Rear Extender to travel in and out a full eight feet.

The 6' storage area is required if the three sets of Reel Racks are added as options.

Size	PT-V-Storage-Options.idw	
B	Scale:	SHEET 1 OF 1

6 5 4 3 2 1